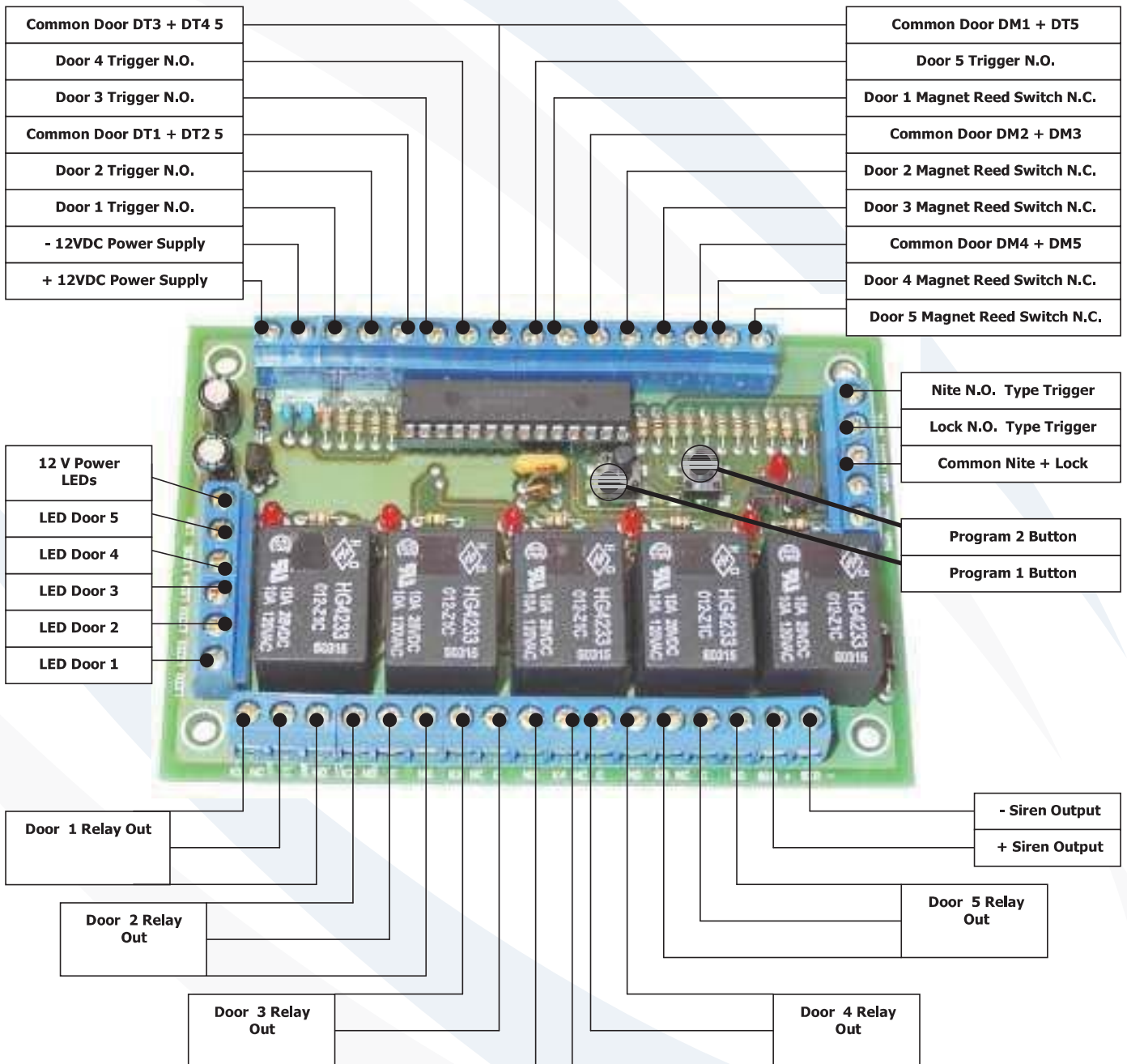


TECHNICAL DATA INFORMATION 5 Door Interlocking Unit

Connector Pin Layout



Connection

- Apply 12V DC, Status light flashes once.
- Press and hold both program buttons to enter program mode.
- All 5 relays activate.
- Status LED flashes 5 times.
- Status light flashes once to indicate door 1 location.
- If no buttons are pressed for 20 seconds, then unit will exit program mode.
- Press program 1 button to deselect / select Door 2 to interlock with Door 1.
- Press program 2 button to step to Door 3.
- Press program 1 button to deselect / select Door 3 to interlock with Door 1.
- Repeat process for all 5 Doors.
- Status LED reminds you which door you are at by flashing the corresponding number of times.
- Default Setting – All doors will interlock with each other.
- All door magnet inputs are normally closed type.
- All door trigger inputs are normally open type.
- Lock input – Locks all doors and is N.O. type. (Burglary Condition)
- Nite Input – Releases all doors and is N.O. type. (Fire Exit)
- For use with Magnetic Lock:
 - Use Common and N.C. for Pos. (+) power to lock.
 - Connect Neg. (-) from power supply to lock.
- For use with Striker Lock:
 - Use Common and N.O. for Pos. (+) power to lock.
 - Connect Neg. (-) from power supply to lock.

Operation

- Trigger any door input. e.g. Door 3
- If the corresponding doors that interlock with door 3 are closed, then the Door 3 relay will activate and release the door.
- Should Door 3 be held open for longer than 10 seconds, the relay will de-activate and the siren output will be triggered.
- The LED outputs can be taken to the doors, to indicate door status.
- Use green LED's to indicate door release.
- Use resistors at the LED to limit current – typically 1 K.