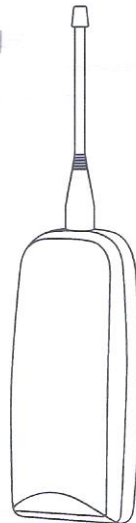


Model No: <b>RX1-500</b>
--------------------------

## 1 Channel Receiver : 500m Code Hopping

### Technical Specifications:

Model:	RX1-500
Encryption type:	Code hopping
Transmission frequency:	403MHz (local) 433MHz (export)
Transmission method:	OOK
Modulation	AM
Transmission range:	500m "Line of sight"
Memory capacity:	80 remotes
Voltage range:	10V to 16VDC
Standby current consumption:	+/-22mA 10%
Current consumption all on:	+/-126mA 10%
Operating Temperature:	-3°C to 49°C
Dimension (lxbxh)	145 x 66 x 40mm
Gross weight:	135g



### Features:

Code-Hopping Encryption

1 x Relay output

Normally Open / Closed

Weather-proof ABS housing

Frequency stability controlled +/- 75KHz

### Approvals: \* (pending)

This product is approved for use in residential, commercial and light industrial environment and complies with the essential protection requirements of the R&TTE Directive 1999/EC on the approximation of the laws of the Member states relating to electromagnetic compatibility and radio spectrum.

#### Certifications:

ETSI EN300 220-V2.4.1  
 ETSI EN301-489-3 V1.4.1  
 ETSI EN301-489-1 V1.9.2  
 IEC 60950-1:2005 + A1:2009



### Order Codes:

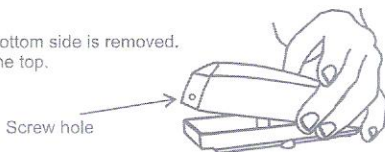
1 Channel Receiver : 500m Code-hopping	RX1-500
----------------------------------------	---------



RX1 - 500

## Opening the unit

Remove the Aerial and make sure the screw on the bottom side is removed. Carefully lift the lid up from the back end and unclip the top.

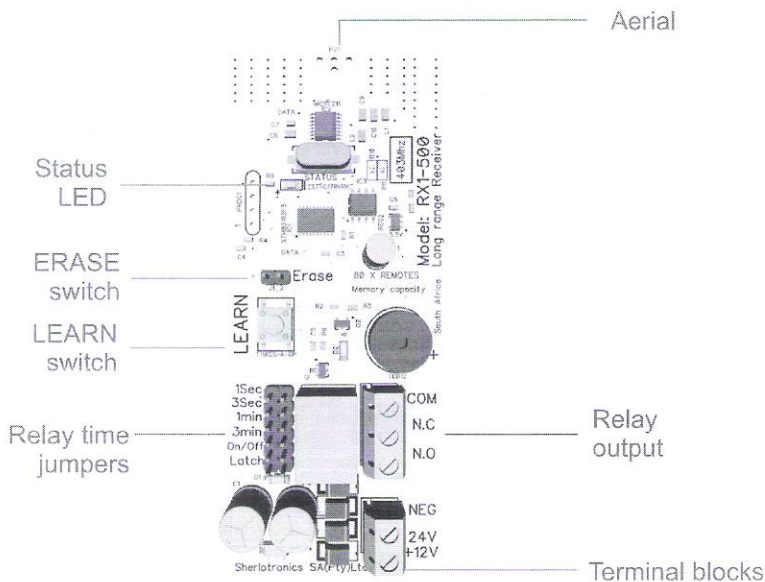
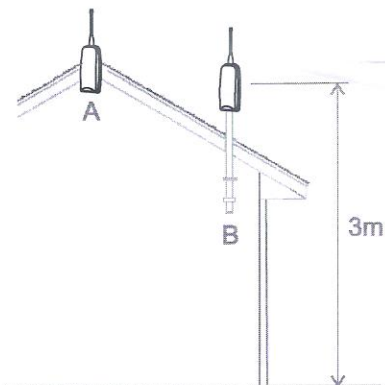


## Mounting advice

The plastic housing is splash proof, and may be mounted externally if required. The unit should be mounted vertically for best performance. Ensure that you do not mount the unit close to electric fence cables or energizers, as these products produce extreme levels of interference and may reduce the performance of the product. If mounting indoors try and centralise the unit, and keep it at least 3 metres away from armed response company's alarm radio transmitters.

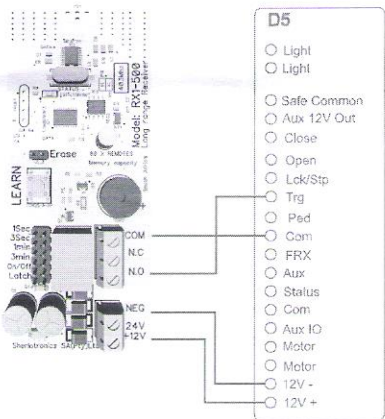
We recommend the unit to be mounted more than 3 metres above the floor height just above the trap door. For large properties that require exceptional range, mount the unit externally.

Always conduct a signal range test before you hand over the product to the client, ensuring that the system works reliably. You may need to move the unit if you encounter dead spots. In rare cases you may need to install a booster repeater unit for coverage around large multi levelled sites.

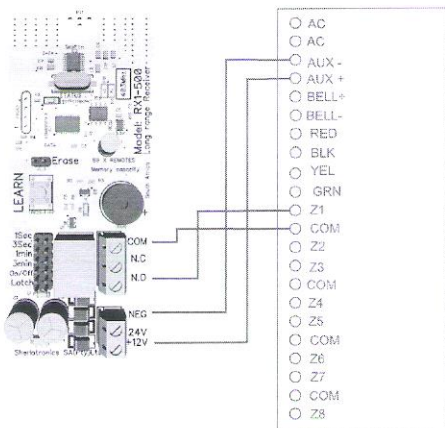


## Wiring diagram

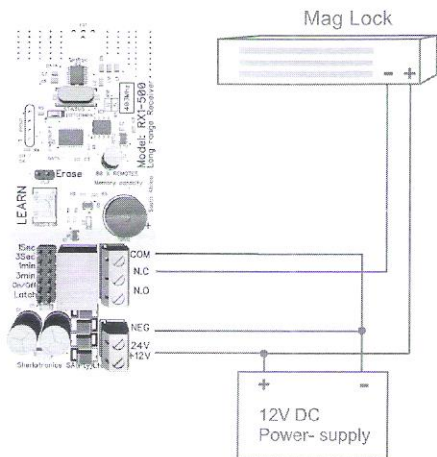
### Typical gate motor wiring



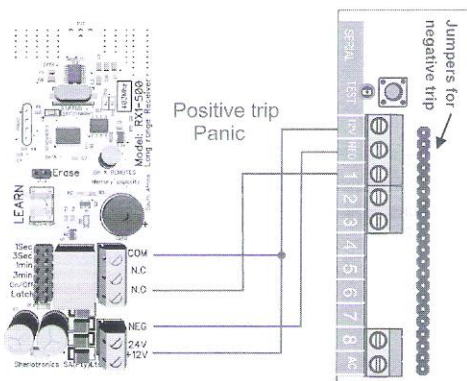
### Typical alarm panel wiring



### Typical mag lock



### Typical panic to radio transmitter



## Defaulting the RX4-500

**Note:** Please default the unit first before installation. This will erase any previously programmed factory test remotes from the memory.



Press and hold for more than 10 Seconds. When the beeping stops the unit is defaulted. Wait a few seconds until it re-boots.

## Programming remotes in

1. Default the unit before you begin a new installation. This erases all previously programmed remotes.
2. Press the LEARN switch once to step to relay 1. (1 x beep sounds)
3. Press the button on the remote control a few times to learn in to the RX4-500 (2x beeps sound)
4. Continue to learn in any additional remote controls until all the remotes are programmed in.
5. Press the LEARN switch again to step to relay 2. (1x beep sounds)
6. Repeat Step 3; 4 & 5 until all the remotes are programmed in to each respective relay.
7. Once Relay 4 is programmed, press the LEARN switch once more to step past relay 4 and exit out of learn mode. (1 x long beep sounds)

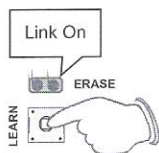
**Note:** The unit can be programmed with up to 80 remotes. When the memory limit has reached its limit the RX1-500 will auto exit out of program mode. The unit auto exits out of program mode if nothing is received after 10-20 seconds.

## Programming the ON/OFF function

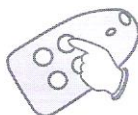
1. Default the unit before you begin a new installation. This erases all previously programmed remotes.
2. Select the 1 sec & 3 sec relay time jumpers respectively.
3. Press the LEARN switch once to step to relay 1 (ON command) (1 x beep sounds)
4. Press the button on the remote control for the ON command. (2 x short beeps sound)
5. Press the LEARN switch again to advance to the OFF command. (2 x short beeps sound)
6. Press the button on the remote control for the OFF command. (2 x short beeps sound)
7. Press the LEARN switch again to advance to the next relay channel.
8. Repeat Step 3 - 6 until all the remotes are programmed in to each respective relay.
7. Once Relay 4 is programmed, press the LEARN switch once more to step past relay 4 and exit out of learn mode. (1 x long beep sounds)

## Erasing individual remotes

1. Link the ERASE jumper
2. Press the LEARN switch
3. Press the remote to be erased
4. Repeat step 2 & 3 for each remote to be erased.
5. Remove ERASE jumper when done



Repeat for each remote to be erased.



Press the button to be erased



20 beeps

You must erase one remote at a time.

## Relay time jumper settings

### 1 Second



Gate & garage door automation

### 3 Seconds



Panic on alarm panel

### 60 Seconds



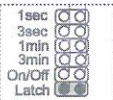
Maglock release / beam bypass

### 3 Min



Arming & Disarming alarm panels

### Latch/un-Latch



Siren output or beam bypass

### On / Off



Code 1 = ON  
Code 2 = OFF

## Warranty

This product is sold subject to our standard warranty conditions and is warranted against defects in workmanship for a period of two years.

**Customer Support line: +2711 462 5101 E-mail: technical@sherlotronics.co.za**