

ADDING A USER:

Present the master tag/card to the DorAble and hold it there for 7 seconds, it will respond with 2 beeps and an orange LED indicating you are in programming mode. To add a tag/card simply present the tag / card to the DorAble while in programming mode, it will respond with a **SHORT BEEP** and a **GREEN LED** indicating the tag/card has been added. To continue adding tags present the tags one after another, up to a maximum of 30 users including two masters. To exit programming mode either present the master again or wait for it to auto exit.

NOTE: SHOULD YOU PRESENT THE SAME TAG MORE THAN ONCE THE TAG WILL BE DELETED.

DELETING A USER: (IF YOU HAVE THE TAG / CARD)

Present the master tag/card to the DorAble and hold it there for 7 seconds, it will respond with 2 beeps and an orange LED indicating you are in programming mode. To delete a tag / card simply present the tag / card which you would like to remove from the DorAble while in programming mode. The DorAble will respond with a **LONG BEEP** and a **RED LED** indicating the tag/card has been deleted. To continue deleting present the tags one after another, to exit programming mode either present the master again or wait the DorAble to auto exit.

NOTE: IT IS NOT POSSIBLE TO DELETE INDIVIDUAL TAGS / CARDS IF YOU DO NOT HAVE THE TAG / CARD IN YOUR POSSESSION.
SHOULD YOU PRESENT THE SAME TAG MORE THAN ONCE THE TAG WILL BE ADDED.

Resetting the DorAble :

NOTE: ALL MASTERS AND USERS WILL BE DELETED SHOULD YOU RESET THE SYSTEM

To reset the DorAble bridge the RTE (green and white wires) or if you have a RTE button press the button while turning the power to the system on and off twice. The system will either respond with flashing red (pulse relay) or flashing orange and green (latch relay) indicating that it is awaiting a new master.

Technical Specifications :

Input Power Supply	12V AC / DC Current
Average Current Consumption	30mA
Relay Rating	5A @ 250V AC
Operating Frequency	125kHz
Coding	64-bit Manchester (EM 4102)

Indications

Visual	Tri-Color LED
Audible	Buzzer

Read Range

ISO Cards	70mm
Tags	50mm

Mechanical

Packaging Formats:	ABS blend, UV resistant Stainless Steel – vandal resistant Panel Mount
Operating Temperature	-10°C to +60°C
Protection Category	IP54 (Encapsulated)

Note:

Relay has a rating of 5A @ 250V AC maximum. If you are switching loads with higher current rating, please connect an external relay with the necessary current rating.

DorAble

Single Door Access Control System

INSTALLATION INSTRUCTIONS

IMPORTANT THINGS TO NOTE BEFORE YOU START

- This unit runs on 12V AC/DC only.
- A maximum of 30 users including two masters can be added to the DorAble.
- Before adding any tags you must select either the latch or 2 second pulse mode.
- If the latch option is selected and is connected to a strike lock the coil of the door strike will burn out.

MOUNTING THE DorAble

Two screws and two wall plugs are supplied with the system for mounting onto a wall. The following steps should be followed:

- Use the DorAble to mark the holes that need to be drilled. (Note: The mounting holes should only be deep enough to accept the wall plugs.) Also drill a hole for the cable to exit.
- Once the holes have been drilled insert wall plugs.
- Mount the DorAble and fasten the screws, making sure that the cable is run correctly.
- Place the face plate sticker onto the reader head and align the face plate LED hole with the LED on the DorAble.

CONNECTING THE DorAble

The DorAble head comes pre-wired with a cable connected to it.

Wiring is as follows:

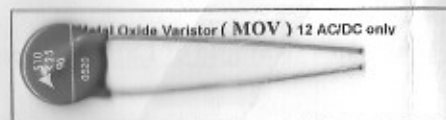
BLACK	-	Ground (GND)	} Supply
RED	-	12V AC/DC	
WHITE	-	RTE (REQUEST TO EXIT)	
GREEN	-	RTE Ground	
YELLOW	-	NORMALLY OPEN RELAY CONTACT	
BLUE	-	COMMON RELAY CONTACT	
VIOLET	-	NORMALLY CLOSED RELAY CONTACT	
BROWN	-	NOT USED	

PLEASE NOTE:

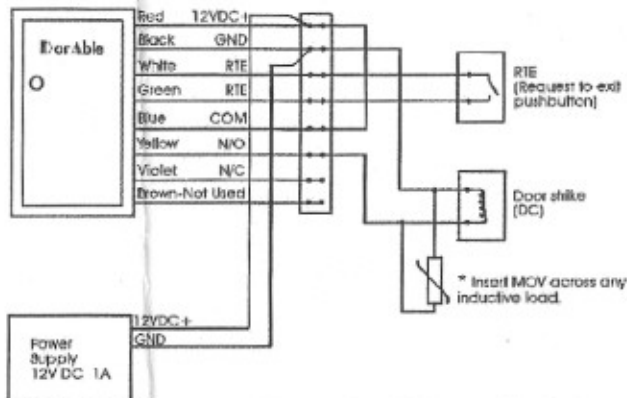
Should you be connecting an **INDUCTIVE LOAD** such as a **STRIKE LOCK** or similar, you will need to connect a "MOV" (supplied below) in between the relay contact (either N/O or N/C) and the Common to prevent flash-back.

IMPORTANT – The supplied MOV is for 12V AC/DC loads only!
Please insert suitably rated device for other voltages

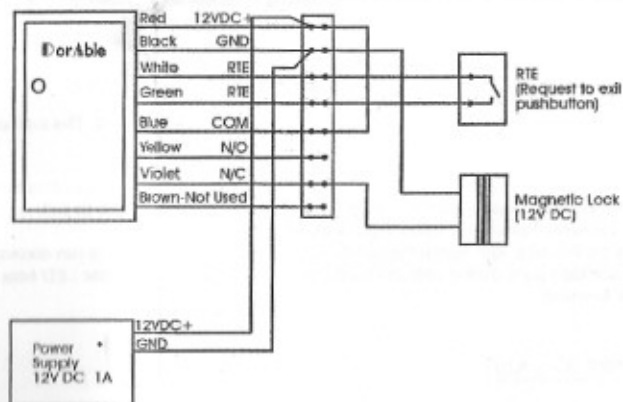
MIC 0302107
REV 01 AUG 06



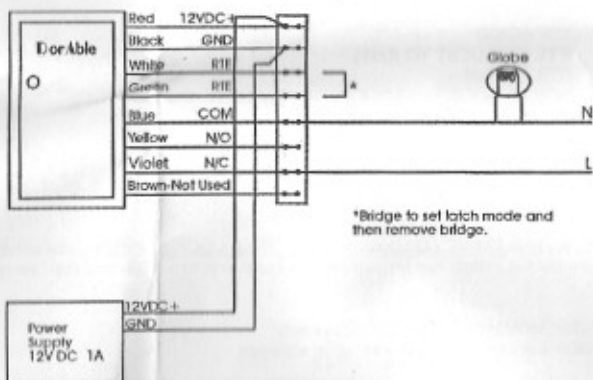
SENSABLE
SENSORS



Wiring Diagram - Example of a Door Strike



Wiring Diagram - Example of a Magnetic Lock



Wiring Diagram - Example of Latch Mode

LED INDICATIONS

Start-up mode:

- Flashing Red - Pulse Relay, waiting for first master
- Flashing Orange and Green - Latch Relay, waiting for first master

Programming mode:

- Solid Orange - Programming mode, waiting to add or delete tags
- Green - User has been added
- Red - User has been deleted

Standard operating mode - Pulse:

- Red - Normal operation, no tag presented
- Green - Valid tag presented, short buzzer sound and relay pulses
- Red - Invalid tag presented, long buzzer sound and no relay response

Standard operating mode - Latch:

- Valid tag - The LED will alternate between Green and Red and the buzzer will sound (short) and the relay will change state.
- Invalid tag - The LED will remain either Green or Red, the buzzer will sound (long) and the relay will not change state.

PROGRAMMING INSTRUCTIONS

Note: The DorAble employs AUTO EXITING software for security reasons. In programming mode, it will automatically revert back to standard operating mode if the user takes no action within 30 seconds.

SELECTING LATCH OR PULSE RELAY:

NOTE: THIS MUST BE DONE BEFORE ADDING TAGS / CARDS

On powering up the DorAble for the first time and before adding any tags you have the option to choose between **Latch Relay** (meaning the relay contact latches between open and closed like a switch) and **Pulse Relay** (meaning the relay contact will pulse for 2 seconds and then revert to its previous state)

To select the Latch or Pulse option you need to bridge the RTE (green and white wires) or if you have a RTE button press the button. The DorAble will either respond by **FLASHING RED INDICATING PULSE RELAY** or if you bridge / press it again it will **FLASH GREEN AND ORANGE INDICATING LATCH RELAY** has been selected.

ADDING MASTERS :

NOTE: THE RELAY OPTION MUST BE SELECTED BEFORE ADDING A MASTER

An ISO card and a Key ring tag are supplied with the DorAble. It is recommended that these are used as the Masters.

After the desired relay option has been selected (Flashing LED) the DorAble is ready to accept the first Master. Present either the card or tag which has been supplied, this card or tag is now your main master. It is recommended that this tag or card be kept in a safe place and is not used on a daily basis. To add the second working master simply present the current master to the DorAble and hold it there for 7 seconds. The DorAble will respond with 2 beeps and the LED will change to orange indicating that you are in programming mode. Present the second master followed by the first master to exit programming mode or wait for it to auto exit after 30 seconds.